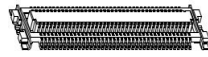


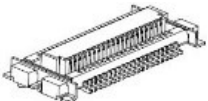
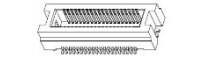
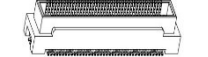

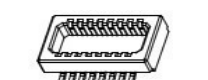
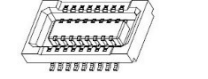



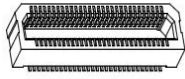
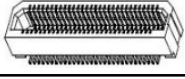
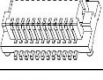



P/N	SPEC.	PHOTO	MATING HEIGHT	PIN AVAILABLE	MATING WITH
C2800XX-01	0.5mm B TO B FEMALE, H0.9		2.0/2.5/3.0/3.5/4.5mm	8/20/30/40/60/80	C2800XX-02 C2800XX-03 C2800XX-05 C2800XX-06 C2800XX-08
C2800XX-02	0.5mm B TO B MALE, H1.1		2.0mm	20/30/40/60	C2800XX-01
C2800XX-03	0.5mm B TO B MALE, H1.55		2.5/3.0/5.0mm	8/10/20/60/80	C2800XX-01 C2800XX-04 C2800XX-06
C2800XX-04	0.5mm B TO B FEMALE, H1.4		3.0/3.5/4.0/5.0mm	10/40/60pin	C2800XX-03 C2800XX-05 C2800XX-07 C2800XX-08
C2800XX-05	0.5mm B TO B MALE, H3.55		4.5/5.0/7.0mm	20/30/40/60/80	C2800XX-01 C2800XX-04 C2800XX-06
C2800XX-06	0.5mm B TO B FEMALE, H3.4		5.0/5.5/6.0/7.0mm	20/30/80	C2800XX-03 C2800XX-05 C2800XX-07 C2800XX-08
C2800XX-07	0.5mm B TO B MALE, H2.05		3.0/3.5/5.5mm	80	C2800XX-01 C2800XX-04 C2800XX-06
C2800XX-08	0.5mm B TO B MALE, H2.5		3.5/4.0/6.0mm	60	C2800XX-01 C2800XX-04 C2800XX-06
C2800XX-09	0.5mm B TO B FEMALE, H3.0		4.0/4.5mm	30/40/50/80	C2800XX-10 C2800XX-11
C2800XX-10	0.5mm B TO B MALE, H1.45		4.5mm	40/50/80	C2800XX-09
C2800XX-11	0.5mm B TO B MALE, H0.95		4.0/5.5mm	30/40	C2800XX-09
C2800XX-12	0.5mm B TO B FEMALE, H2.5		6.0mm	20/80	C2800XX-13
C2800XX-13	0.5mm B TO B MALE, H3.5		6.0mm	20/80	C2800XX-12
C2800XX-14	0.5mm B TO B FEMALE, H1.2, W/O POST		1.5mm	20/30	C2800XX-15
C2800XX-15	0.5mm B TO B MALE, H1.45		1.5mm	20/30	C2800XX-14
C2800XX-16	0.5mm B TO B MALE, H1.25		1.5mm	40/60	C2800XX-17
C2800XX-17	0.5mm B TO B FEMALE, H1.45		1.5mm	40/60	C2800XX-16
C2800XX-18	0.5mm B TO B MALE, H0.95		4.0/4.5mm	20/60	C2800XX-19 C2800XX-20

C2800XX-19	0.5mm B TO B FEMALE, H3.01		4.0mm	20/60	C2800XX-18
C2800XX-20	0.5mm B TO B FEMALE, H3.5		4.5mm	60	C2800XX-18
C2800XX-21	0.5mm B TO B MALE, H0.7		4.0mm	24	C2800XX-22
C2800XX-22	0.5mm B TO B FEMALE, H3.3		4.0mm	24	C2800XX-21