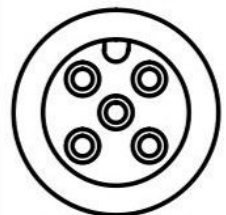
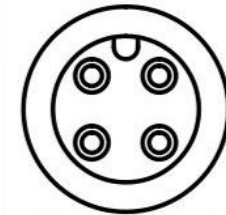
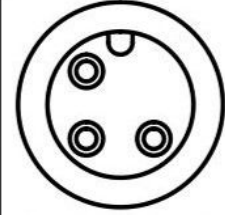
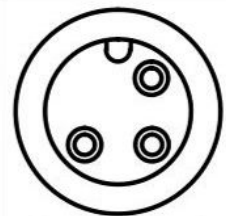
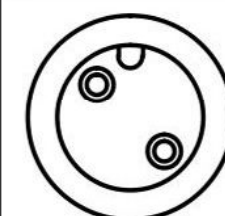
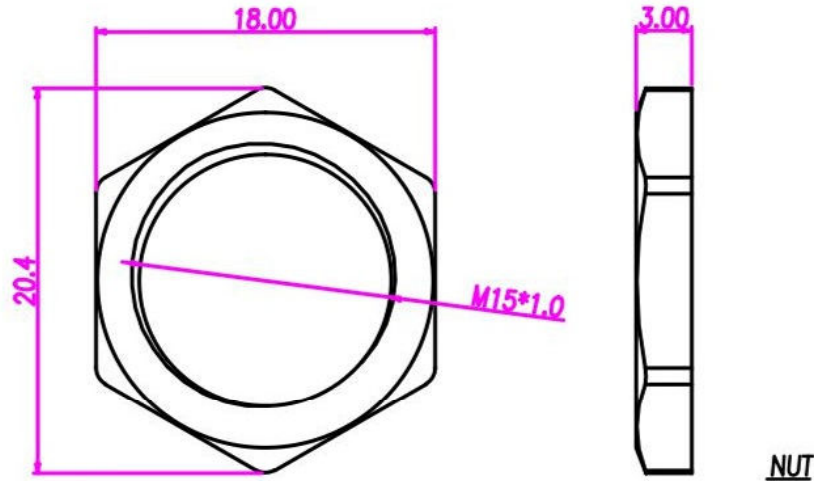


CUSTOMER DRAWING

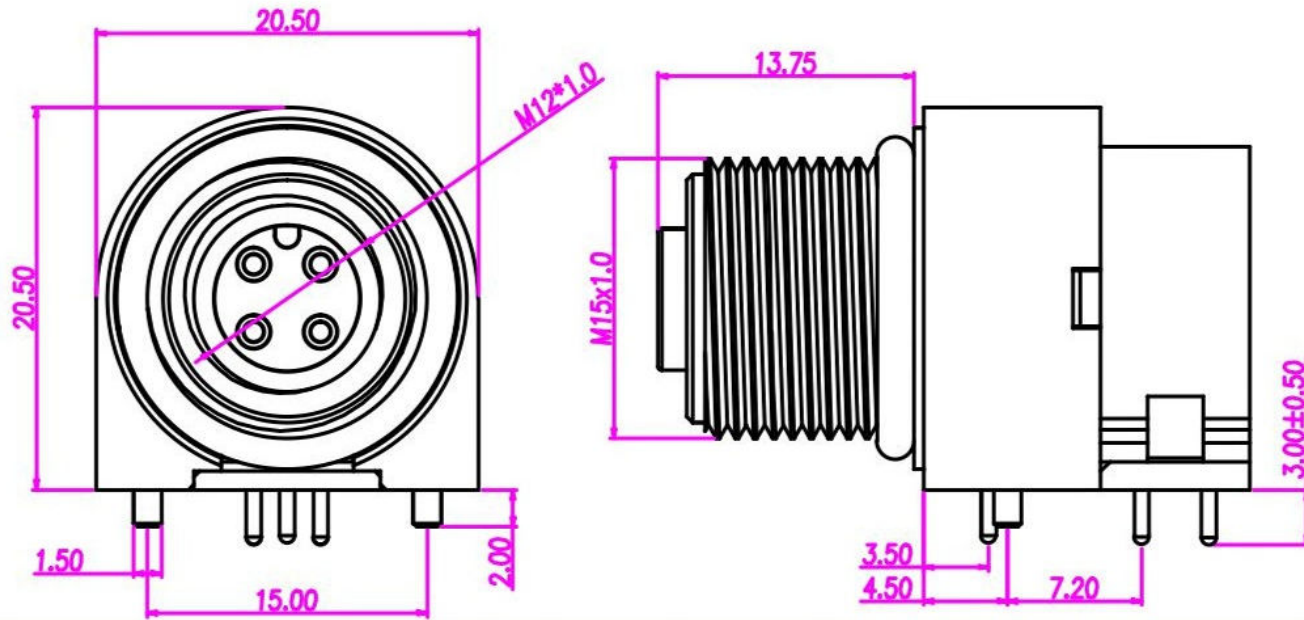
REV.	DESCRIPTION	APPROVED BY	DATE	ECN NO.
A	RELEASE	Fido Veng	22/12/08'	
B				
C				

SEE TABLE A

 WP-05F2-01-11	 WP-04F2-04-11	 WP-03F2-57-11
 WP-03F2-52-11	 2P	



NUT




NOTE:

- MATERIAL :
 - HOUSING : PBT UL94V-0 ; COLOR : BLACK
 - CONTACT : BRASS
 - NUT : BRASS
 - O-RING : EPDM ; COLOR : BLACK
 - BACK HOUSING : PBT UL94V-0 ; COLOR : BLACK
 - DOWN HOUSING : PBT UL94V-0 ; COLOR : BLACK
- FINISH :
 - CONTACT : GOLD FLASH ON OVER ALL
UNDER PLATE : NICKEL
 - SHELL : STAIN NICKEL 80u"~100u" ON OVER ALL
- ELECTRICAL SPECIFICATION :
 - Rated current : 5A
 - Rated Voltage : 125V
 - Water proof: IPX7
- Environmental :
 - Operation Temperature : -40'~+85'

DRAWN	Yeh Chou	APPEND	Emily Suen	UNIT	mm	TOLERANCE	
CHK'D	Emily Suen			SCALE	1:1	.x ±0.20 .xx ±0.10 .xxx ±0.05 .xxxx ±0.03 ANGULA ±1°	

CHUFON TECH. CO., LTD.

TITLE	WATERPROOF M12*1.0 (F) 90			SHEET
PART NO.	SEE TABLE A	DWG NO.	QC6534	 VERSION A

