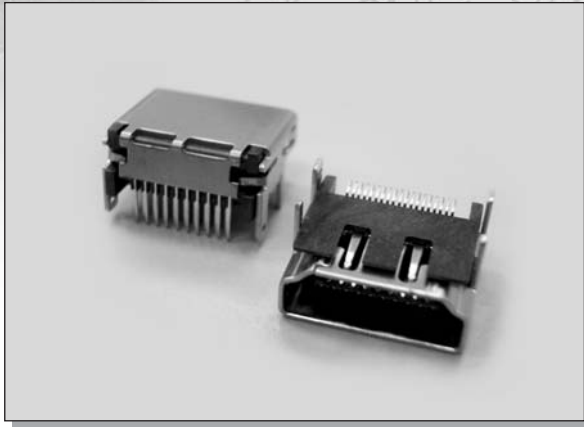


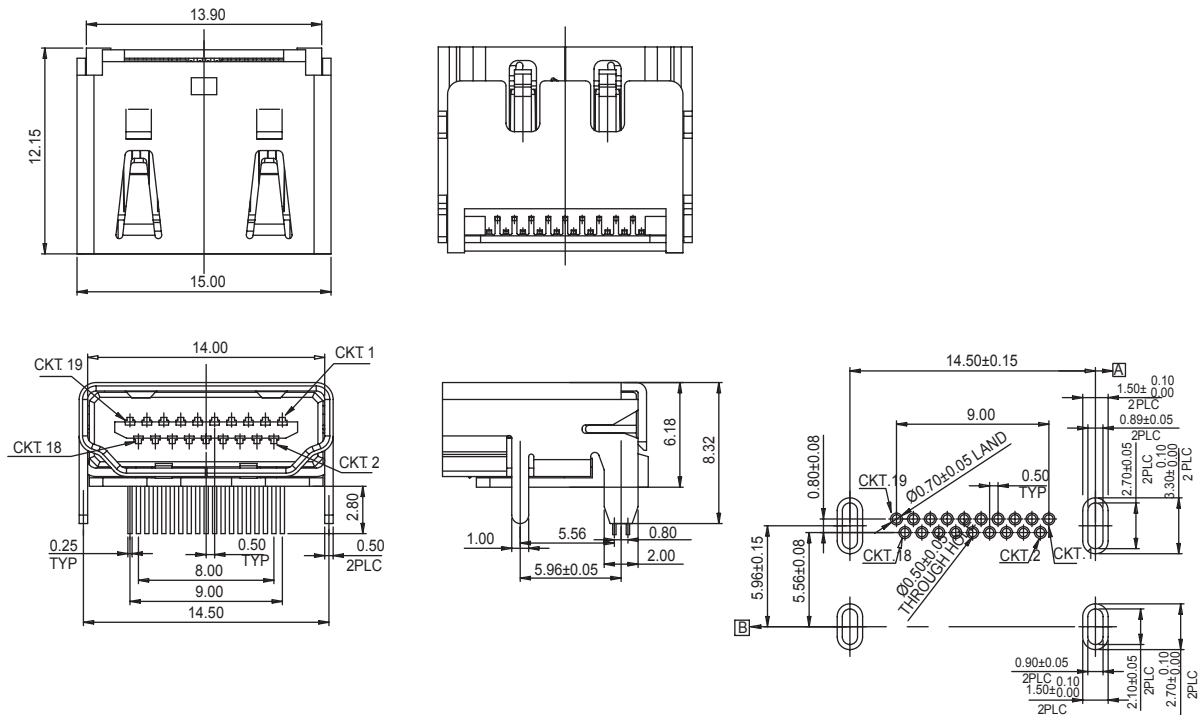
# C-TEK HDMI PCB 19P W/O FLANGE, R/A DIP, R/A SMT



## MATERIAL:

HOUSING : THERMOPLASTIC WITH 30% G/F, UL 94V-0.  
 COLOR : BLACK.  
 CONTACT : PHOSPHOR BRONZE.  
 SHELL : PHOSPHOR BRONZE.

## DIMENSIONS



RECOMMENDED P.C.B. PATTERN LAYOUT(T=1.6±0.15)

## HOW TO ORDER

SERIES NO.	CONTACT NO.	CONTACT TYPE	PLATING	PACKAGE
<b>9020</b>	<b>19</b> 19P	<b>R</b> R: R/A DIP M: R/A SMT	<b>S</b> S: SELECTIVE GOLD PLATED S1: SELECTIVE GOLD 15u" S2: SELECTIVE GOLD 30u"	<b>T</b> T: TUBE R: T&R TA: TRAY