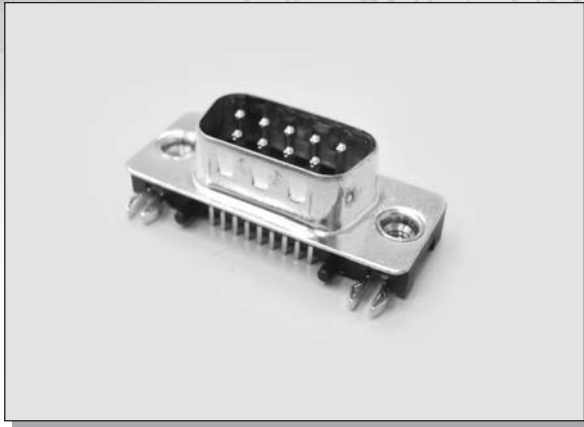


# C-TEK D-SUB R/A SLIM SMT TYPE



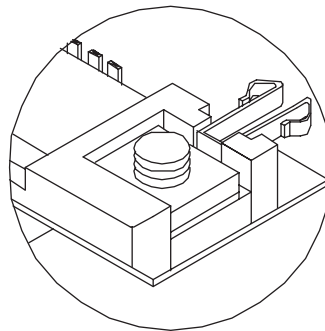
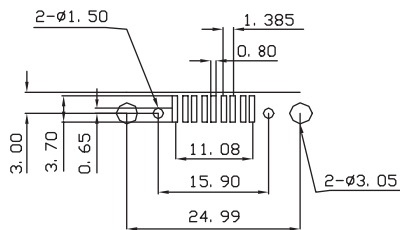
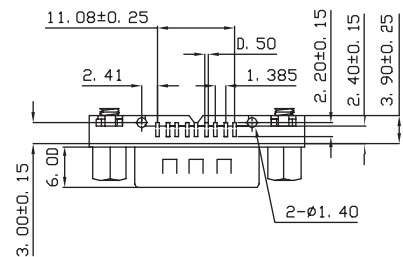
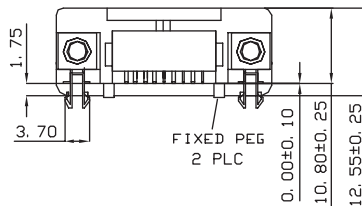
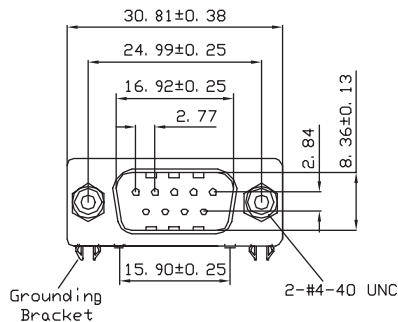
## MATERIAL:

INSULATOR : THERMOPLASTIC.  
CONTACT : PHOSPHOR BRONZE.

## SPECIFICATIONS:

CURRENT RATING : 5A.  
WITHSTANDING VOLTAGE: 500V (R.M.S) AC FOR 1 MINUTE.  
INSULATION RESISTANCE: MORE THAN 1000M OHM AT 500V DC.  
CONTACT RESISTANCE : 13M OHM MAX.  
OPERATING TEMPERATURE: -55°C ~ +105°C

## DIMENSIONS



Pin Number :  
5 9 4 8 3 7 2 6 1  
Recommended PCB Layout

Fork Board Lock Type

## HOW TO ORDER

SERIES NO.	CONTACT NO.	CONTACT TYPE	PLATING	RIVET & HEX SCREW	COLOR	SCREW TYPE	HOUSING MATERIAL
<b>1008</b>	<b>15</b>	<b>F</b>	<b>S</b>	<b>1</b>	<b>B</b>	<b>1</b>	<b>H</b>
	9 15 25	F: FEMALE M: MALE	G: GOLD FLASH OVER NICKEL PLATED S: SELECTIVE GOLD PLATED	1: 4-40" INSERT/CAPTIVE NUT WITH FEMALE 4-40 HEX SL WITH BL 2: 4-40" INSERT/CAPTIVE NUT ATTACH FEMALE 4-40" HEX SL WITH BL 3: 4-40" INSERT/CAPTIVE NUT WITH BL	B: BLACK U: BLUE	1: NUT: 4.8MM TOTAL LENGTH: 11.8MM 2: NUT: 4.8MM TOTAL LENGTH: 13MM 3: NUT: 5.8MM TOTAL LENGTH: 13MM	H: HIGH TEMP