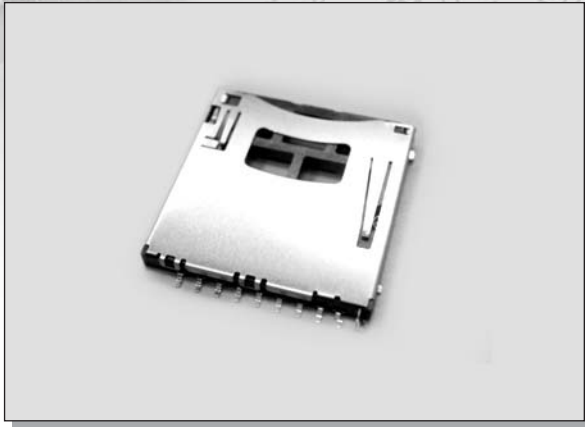


# C-TEK SD PUSH PUSH NORMAL TYPE



## MATERIAL:

HOUSING : LCP+30% GF., UL 94V-0 RATED.

CONTACT : PHOSPHOR BRONZE.

## SPECIFICATION:

VOLTAGE RATING : 50V DC MAX.

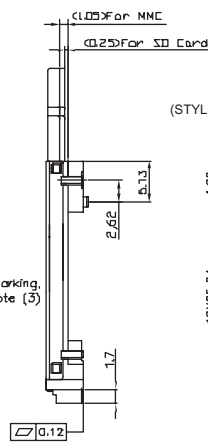
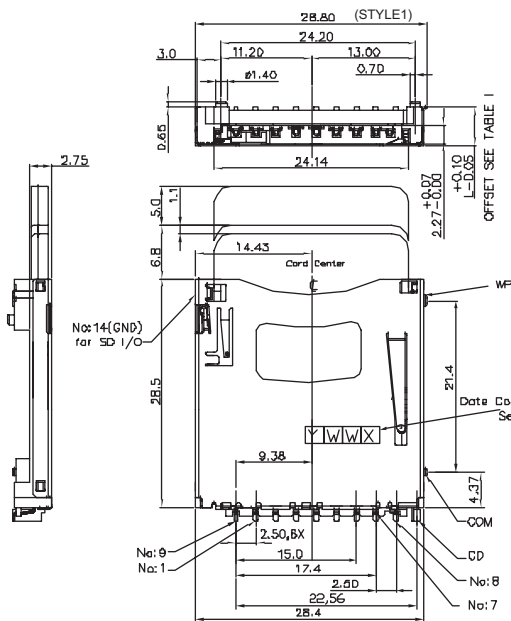
CURRENT RATING : 0.5A MAX.

OPERATING TEMPERATURE : -20°C ~ +80°C

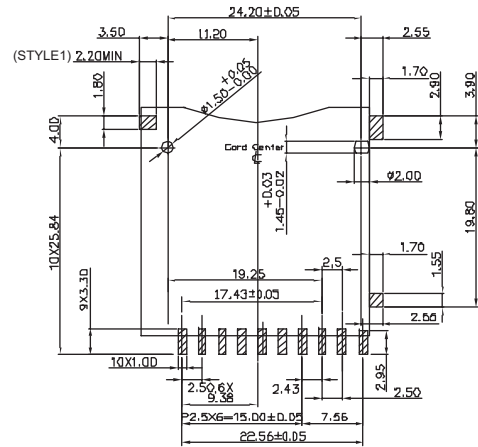
INSULATION RESISTANCE : 1000 MΩ MIN.

CONTACT RESISTANCE : 100 MΩ MAX.

## DIMENSIONS



## Recommended P.C.Board Layout-STYLE 1



## HOW TO ORDER

SERIES NO.

8004

TYPE

M

M: MANUAL TYPE

PLATING

S

S: SELECTIVE GOLD PLATED

S1: SELECTIVE GOLD 15u"

S2: SELECTIVE GOLD 30u"