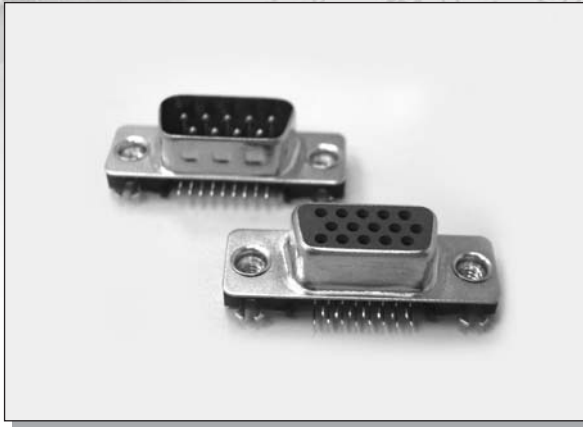


C-TEK D-SUB R/A DIP SLIM TYPE



MATERIAL:

INSULATOR : PBT + 30% GLASS FIBER (UL94V-0).

CONTACT : PHOSPHOR BRONZE.

ELECTRICAL CHARACTERISTICS:

CURRENT RATING : 1 AMPS.

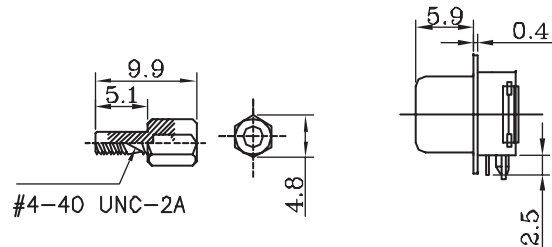
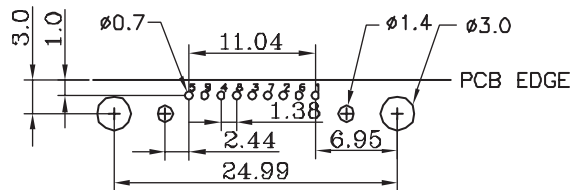
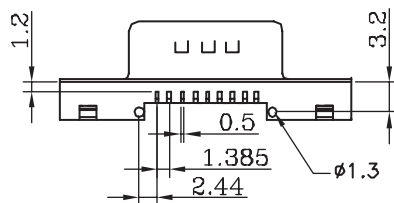
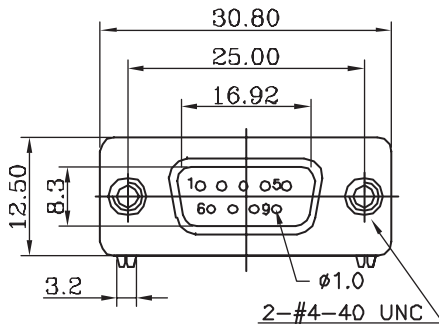
WITHSTANDING VOLTAGE : AC 1000V / 60 SEC. R.M.S.

INSULATOR RESISTANCE : 5000 MEGOHMS MINIMUM
AT DC 500V.

CONTACT RESISTANCE : 25 MILLIOHMS MAXIMUM.

OPERATING TEMPERATURE : -55°C TO +105°C

DIMENSIONS



HOW TO ORDER

SERIES NO.	CONTACT NO.	CONTACT TYPE	PLATING	RIVET & HEX SCREW	COLOR	SCREW TYPE	HOUSING MATERIAL
1007	9	F	S	1	B	1	P
	9 15 25	F: FEMALE M: MALE	G: GOLD FLASH OVER NICKEL PLATED S: SELECTIVE GOLD PLATED	1: 4-40" INSERT/CAPTIVE NUT WITH FEMALE 4-40" HEX SL WITH BL 2: 4-40" INSERT/CAPTIVE NUT ATTACH FEMALE 4-40" HEX SL WITH BL 3: 4-40" INSERT/CAPTIVE NUT WITH BL	B: BLACK U: BLUE	1: NUT: 4.8MM TOTAL LENGTH: 11.8MM 2: NUT: 4.8MM TOTAL LENGTH: 13MM 3: NUT: 5.8MM TOTAL LENGTH: 13MM	P: PBT H: HIGH TEMP