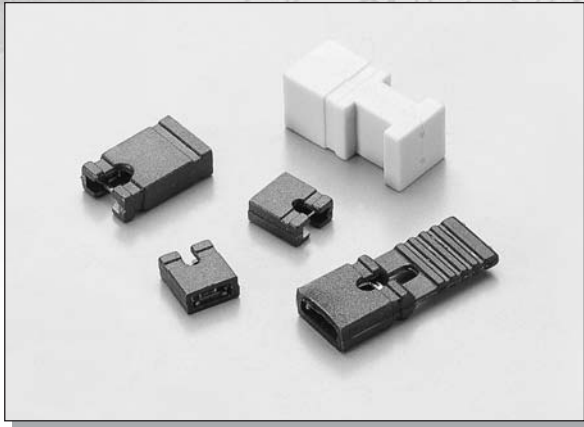


C-TEK 2.54 / 2.00MM MINI JUMPER



MATERIAL:

INSULATOR : PBT + 30% GLASS FIBER,
UL 94V-0 RATED.

CONTACT : PHOSPHOR BRONZE OR BRASS.
(STANDARD IS BRASS)

ELECTRICAL CHARACTERISTICS:

CURRENT RATING : 3.0 AMPS.

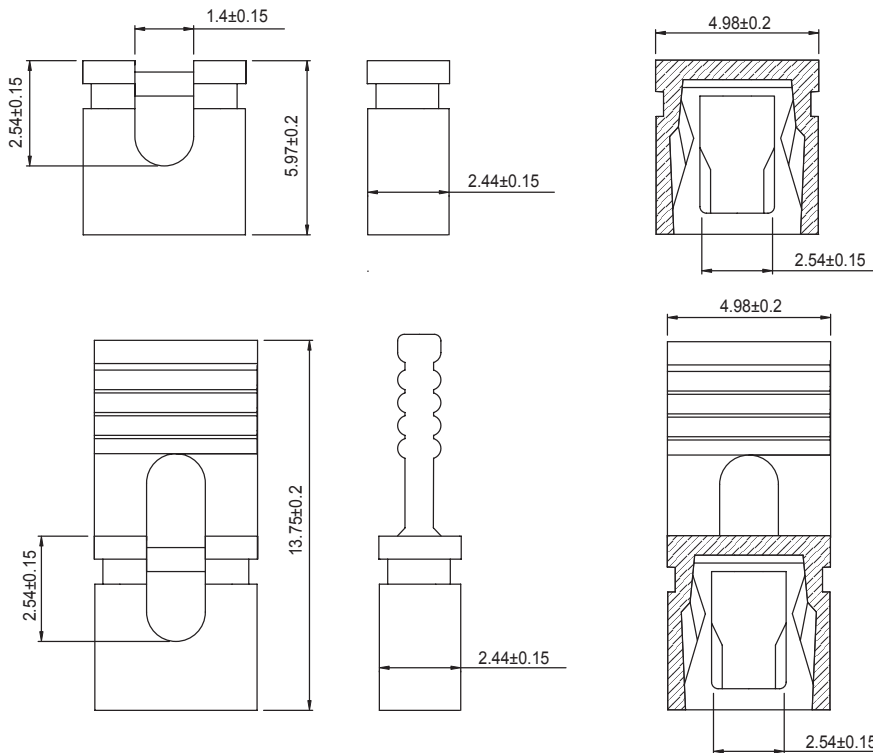
WITHSTANDING VOLTAGE : 650V AC MIN.

INSULATOR RESISTANCE : 1000 MEGOHMS MIN.

CONTACT RESISTANCE : 30 MILLIOHMS MAX.

OPERATING TEMPERATURE : -55°C ~ +105°C

DIMENSIONS



HOW TO ORDER

SERIES NO.	PITCH	PLATING	CONTACT TYPE	HEIGHT	TERMINAL MATERIAL	COLOR	HOUSING MATERIAL
7001	A	G	C	4	P	B	P
	A: 2.54 B: 2.00	T: TIN PLATED G: GOLD PLATED	O: OPEN C: CLOSE	1: 3.5MM 2: 4.5MM 3: 6.0MM 4: 6.5MM 5: 8.0MM 6: 8.8MM 7: 8.5MM 8: 13.7MM	P: PHOSPHOR BRONZE B: BRASS	B: BLACK G: GREEN R: RED U: BLUE W: WHITE Y: YELLOW	P: PBT H: HIGH TEMP.