

C-TEK 0.50MM PITCH FPC CONNECTOR PROFILE 1.2MM



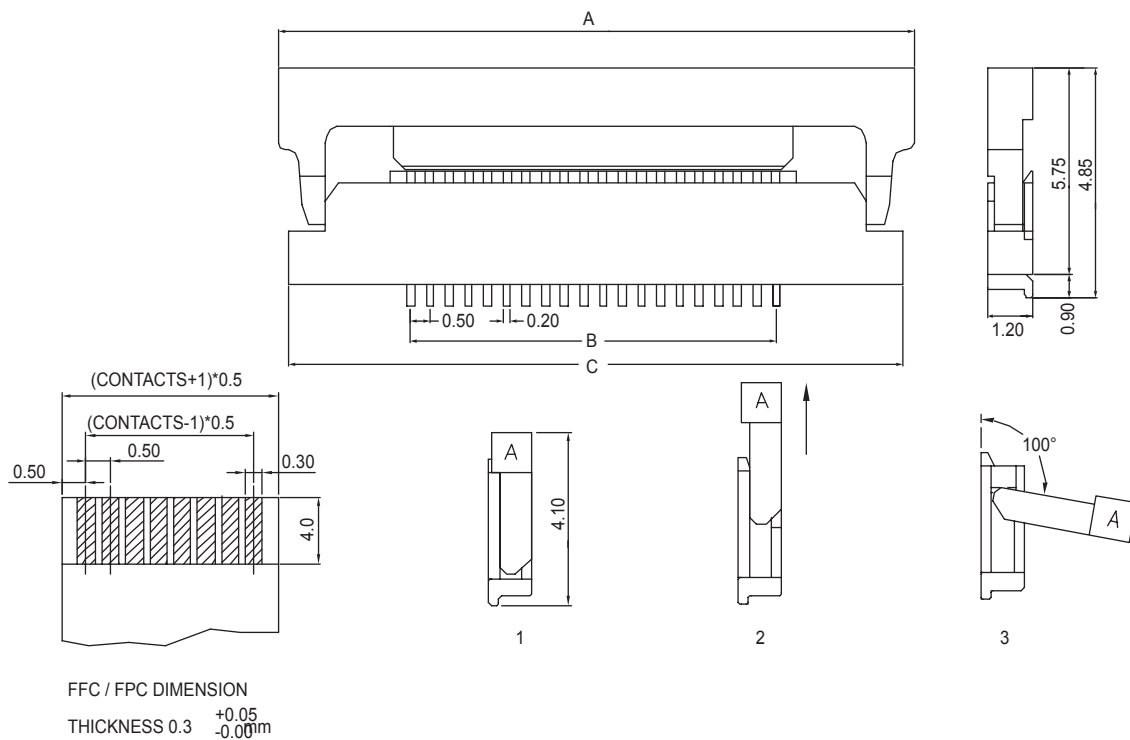
MATERIAL:

INSULATOR : NYLON.
CONTACT : PHOSPHOR BRONZE.

ELECTRICAL CHARACTERISTICS:

CURRENT RATING : 0.5 AMP.
WITHSTANDING VOLTAGE : 50V MAX.
OPERATING TEMPERATURE : -25°C ~ +85°C

DIMENSIONS



HOW TO ORDER

SERIES NO.	TYPE	CONTACT NO.	PLATING	CONTACT TYPE	PACKAGE	PROFILE
6004	Z	17	T	R1	T	1.2
	Z: ZIF TYPE	4 ~ 50	T: TIN PLATED	R1: R/A SMT, BOTTOM CONTACT R2: R/A SMT, TOP CONTACT	T: TUBE R: T&R	1.2: PROFILE=1.2MM