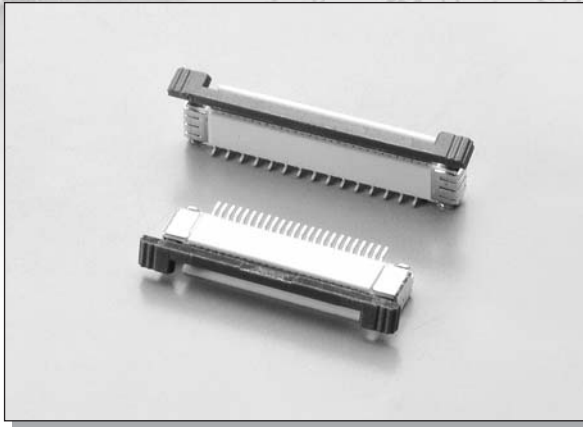


# C-TEK 0.50MM PITCH FPC CONNECTOR PROFILE 2.0MM



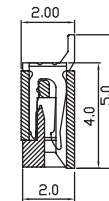
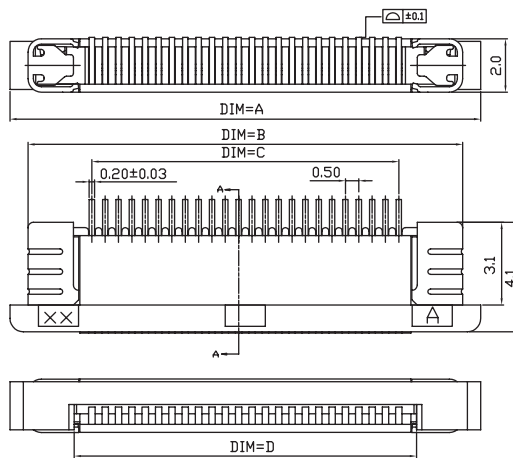
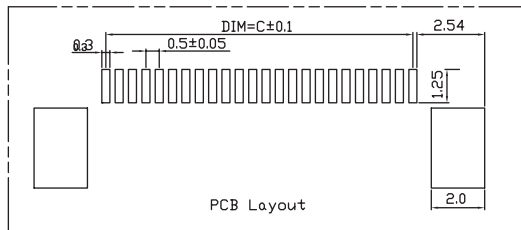
## MATERIAL:

INSULATOR : THERMOPLASTIC.  
CONTACT : PHOSPHOR BRONZE.

## ELECTRICAL CHARACTERISTICS:

CURRENT RATING : 0.4A MAX.  
VOLTAGE RATING : 50V MAX.  
OPERATING TEMPERATURE : -40°C ~ +105°C

## DIMENSIONS



| CONTACT NO. | A    | B    | C    | D    | CONTACT NO. | A    | B    | C    | D    |
|-------------|------|------|------|------|-------------|------|------|------|------|
| 4           | 6    | 1.5  | 7.5  | 2.6  | 28          | 18   | 13.5 | 19.5 | 14.6 |
| 5           | 6.5  | 2    | 8    | 3.1  | 29          | 18.5 | 14   | 20   | 15.1 |
| 6           | 7    | 2.5  | 8.5  | 3.6  | 30          | 19   | 14.5 | 20.5 | 15.6 |
| 7           | 7.5  | 3    | 9    | 4.1  | 31          | 19.5 | 15   | 21   | 16.1 |
| 8           | 8    | 3.5  | 9.5  | 4.6  | 32          | 20   | 15.5 | 21.5 | 16.6 |
| 9           | 8.5  | 4    | 10   | 5.1  | 33          | 20.5 | 16   | 22   | 17.1 |
| 10          | 9    | 4.5  | 10.5 | 5.6  | 34          | 21   | 16.5 | 22.5 | 17.6 |
| 11          | 9.5  | 5    | 11   | 6.1  | 35          | 21.5 | 17   | 23   | 18.1 |
| 12          | 10   | 5.5  | 11.5 | 6.6  | 36          | 22   | 17.5 | 23.5 | 18.6 |
| 13          | 10.5 | 6    | 12   | 7.1  | 37          | 22.5 | 18   | 24   | 19.1 |
| 14          | 11   | 6.5  | 12.5 | 7.6  | 38          | 23   | 18.5 | 24.5 | 19.6 |
| 15          | 11.5 | 7    | 13   | 8.1  | 39          | 23.5 | 19   | 25   | 20.1 |
| 16          | 12   | 7.5  | 13.5 | 8.6  | 40          | 24   | 19.5 | 25.5 | 20.6 |
| 17          | 12.5 | 8    | 14   | 9.1  | 41          | 24.5 | 20   | 26   | 21.1 |
| 18          | 13   | 8.5  | 14.5 | 9.6  | 42          | 25   | 20.5 | 26.5 | 21.6 |
| 19          | 13.5 | 9    | 15   | 10.1 | 43          | 25.5 | 21   | 27   | 22.1 |
| 20          | 14   | 9.5  | 15.5 | 10.6 | 44          | 26   | 21.5 | 27.5 | 22.6 |
| 21          | 14.5 | 10   | 16   | 11.1 | 45          | 26.5 | 22   | 28   | 23.1 |
| 22          | 15   | 10.5 | 16.5 | 11.6 | 46          | 27   | 22.5 | 28.5 | 23.6 |
| 23          | 15.5 | 11   | 17   | 12.1 | 47          | 27.5 | 23   | 29   | 24.1 |
| 24          | 16   | 11.5 | 17.5 | 12.6 | 48          | 28   | 23.5 | 29.5 | 24.6 |
| 25          | 16.5 | 12   | 18   | 13.1 | 49          | 28.5 | 24   | 30   | 25.1 |
| 26          | 17   | 12.5 | 18.5 | 13.6 | 50          | 29   | 24.5 | 30.5 | 25.6 |
| 27          | 17.5 | 13   | 19   | 14.1 |             |      |      |      |      |

## HOW TO ORDER

| SERIES NO.  | TYPE        | CONTACT NO. | PLATING       | CONTACT TYPE  | PACKAGE           | PROFILE            |
|-------------|-------------|-------------|---------------|---|-------------------|--------------------|
| <b>6003</b> | <b>Z</b>    | <b>17</b>   | <b>T</b>      | <b>S1</b>   | <b>T</b>          | <b>2.0</b>         |
|             | Z: ZIF TYPE | 4 ~ 50      | T: TIN PLATED | R1: R/A SMT, BOTTOM CONTACT<br>R2: R/A SMT, TOP CONTACT<br>S1: STRAIGHT SMT TYPE 1<br>S2: STRAIGHT SMT TYPE 2 | T: TUBE<br>R: T&R | 2.0: PROFILE=2.0MM |