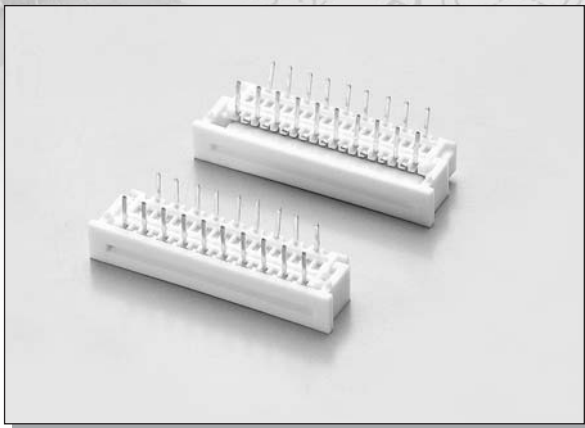


C-TEK 1.25MM PITCH FPC CONNECTOR



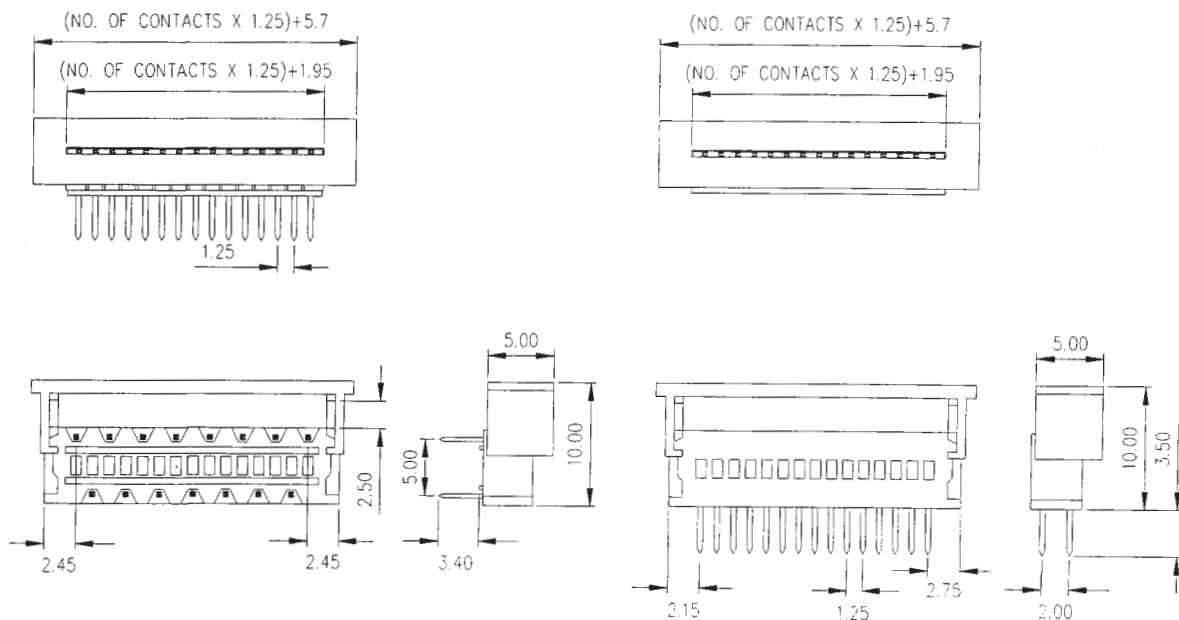
MATERIAL:

INSULATOR : PBT + 30% GLASS FIBER (UL94V-0).
 CONTACT : PHOSPHOR BRONZE OR BRASS.
 (STANDARD IS BRASS)

ELECTRICAL CHARACTERISTICS:

CURRENT RATING : 1 AMP.
 INSULATOR RESISTANCE : 5000 MEGOHMS MIN. AT 500V DC.
 CONTACT RESISTANCE : 10 MILLIOHMS MAX.
 OPERATING TEMPERATURE : -55°C ~ +105°C

DIMENSIONS



HOW TO ORDER

SERIES NO.	TYPE	CONTACT NO.	PLATING	CONTACT TYPE
6001	Z	17	T	S
	Z: ZIF TYPE N: NON-ZIF TYPE	3 ~ 32	T: TIN PLATED	S: SIDE ENTRY T: TOP ENTRY