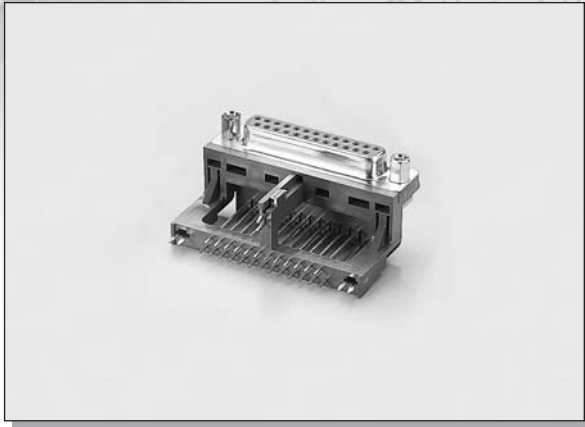


C-TEK D-SUB R/A HIGH RAISE 9P/25P



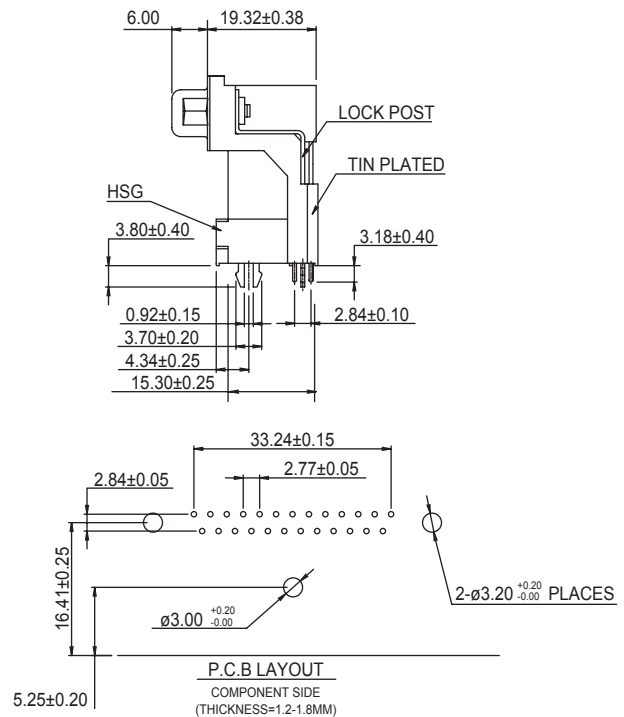
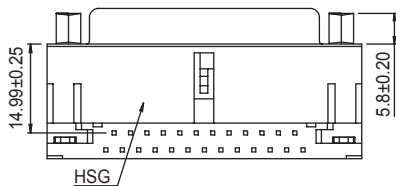
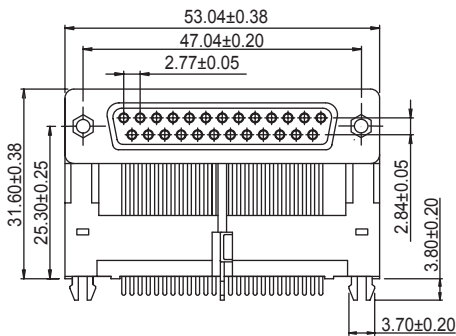
MATERIAL:

INSULATOR : PBT + 30% GLASS FIBER (UL94V-0).
 CONTACT : PHOSPHOR BRONZE OR BRASS.
 (STANDARD IS BRASS)

ELECTRICAL CHARACTERISTICS:

CURRENT RATING : 5 AMPS.
 WITHSTANDING VOLTAGE : AC 1250V R.M.S.
 INSULATOR RESISTANCE : 5000 MEGOHMS MIN. AT 500V DC.
 CONTACT RESISTANCE : 15 MILLIOHMS MAX.
 OPERATING TEMPERATURE : -55°C ~ +105°C

DIMENSIONS



HOW TO ORDER

SERIES NO.	CONTACT NO.	CONTACT TYPE	PLATING	RIVET & HEX SCREW	COLOR	SCREW TYPE	HOUSING MATERIAL
1005	25	F	S	1	P	1	P
	9 15 25	F: FEMALE (25P) F1: FEMALE (15HD) M: MALE (9P)	S: SELECTIVE GOLD PLATED	1: 4-40" INSERT/CAPTIVE NUT WITH FEMALE 4-40" HEX SL WITH BL 2: 4-40" INSERT/CAPTIVE NUT ATTACH FEMALE 4-40" HEX SL WITH BL 3: 4-40" INSERT/CAPTIVE NUT WITH BL	P: PURPLE G: GREEN U: BLUE B: BLACK	1: NUT: 4.8MM TOTAL LENGTH: 11.8MM 2: NUT: 4.8MM TOTAL LENGTH: 13MM 3: NUT: 5.8MM TOTAL LENGTH: 13MM	P: PBT H: HIGH TEMP