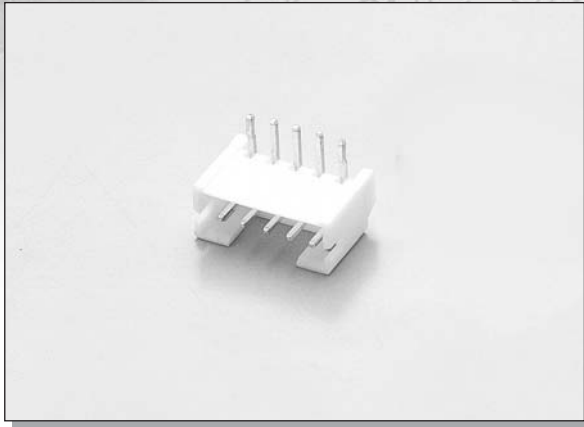


C-TEK 2.00MM PITCH JST PH WIRE TO BOARD



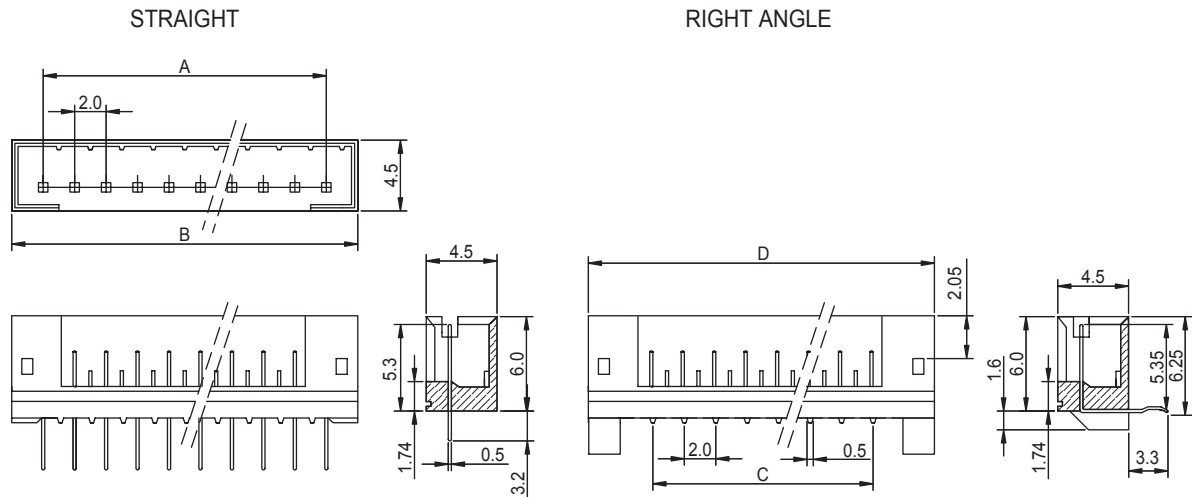
MATERIAL:

INSULATOR : NYLON 66 UL 94V-0.
CONTACT MATERIAL : PHOSPHOR BRONZE.

ELECTRICAL CHARACTERISTICS:

CURRENT RATING : 2 AMPS.
WITHSTANDING VOLTAGE : 750V AC MIN.
INSULATOR RESISTANCE : 1000 MEGOHMS MIN. AT 500V DC.
CONTACT RESISTANCE : 30 MILLIOHMS MAX.
OPERATING TEMPERATURE : -25°C ~ +85°C

DIMENSIONS



DIMENSIONS

A=2.00 x (No. of Position-1)
B=2.00 x (No. of Position+1)

HOW TO ORDER

HOUSING

TERMINAL

SERIES NO.	CONTACT NO.	CONTACT TYPE	PLATING	SERIES NO.	CONTACT NO.	SERIES NO.	PLATING
3012	12	R	T	3012A	12	3012A	T
	2 - 16	R: R/A S: STRAIGHT	T: TIN PLATED		2 - 16		T: TIN PLATED