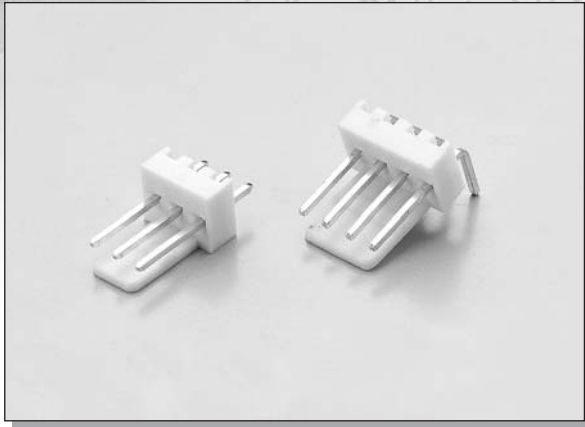


C-TEK 2.54MM PITCH MOLEX WIRE TO BOARD



MATERIAL:

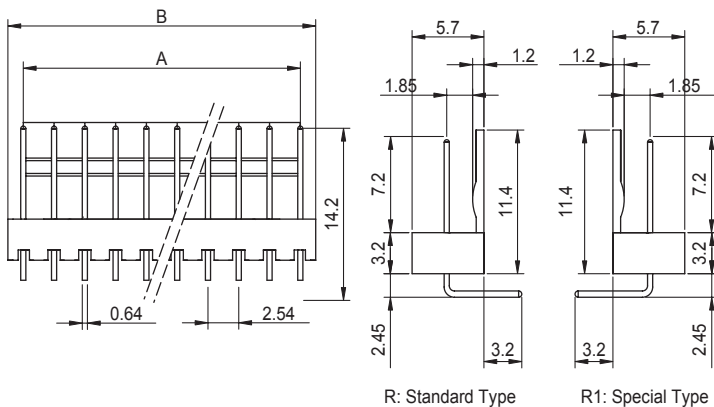
INSULATOR : NYLON 66 UL 94V-0.
CONTACT : PHOSPHOR BRONZE.

ELECTRICAL CHARACTERISTICS:

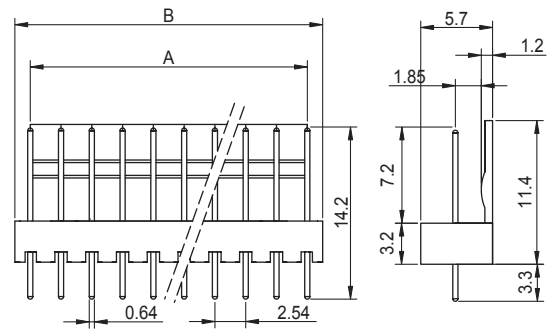
CURRENT RATING : 2 AMPS.
WITHSTANDING VOLTAGE : 750V AC MIN.
INSULATOR RESISTANCE : 1000 MEGOHMS MIN. AT 500V DC.
CONTACT RESISTANCE : 30 MILLIOHMS MAX.
OPERATING TEMPERATURE : -25°C ~ +85°C

DIMENSIONS

RIGHT ANGLE



STRAIGHT



DIMENSIONS

A=2.54 x (No. of Position-1)
B=2.54 x (No. of Position+1)

HOW TO ORDER

HOUSING

TERMINAL

SERIES NO.	CONTACT NO.	CONTACT TYPE	PLATING	SERIES NO.	CONTACT NO.	SERIES NO.	PLATING
3006	12	R	T	3006A	12	3006A	T
	2 - 20	R: R/A (STANDARD TYPE) R1: R/A (SPECIAL TYPE) S: STRAIGHT	T: TIN PLATED		2 - 20		T: TIN PLATED