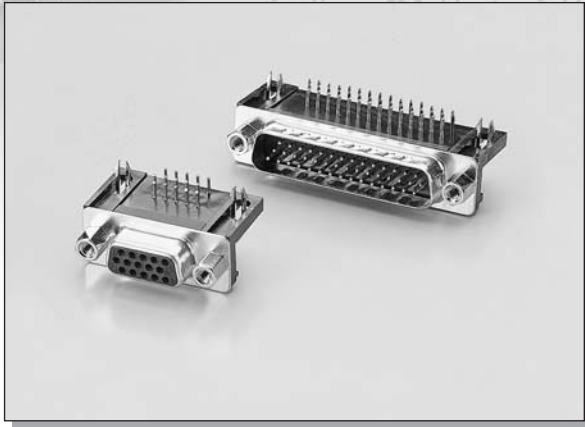


# C-TEK D-SUB H.D. R/A FOOT PRINT 8.89MM



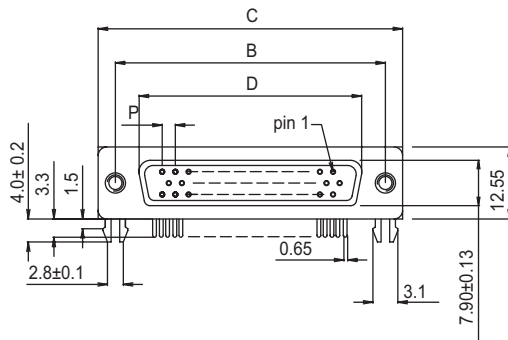
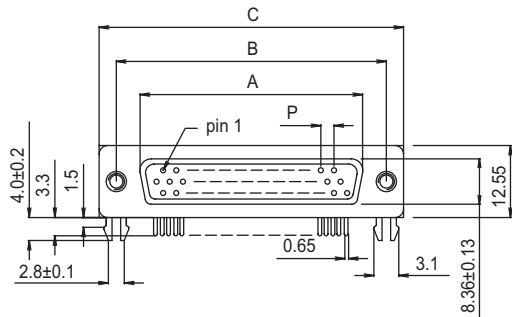
## MATERIAL:

INSULATOR : PBT + 30% GLASS FIBER (UL94V-0).  
 CONTACT : PHOSPHOR BRONZE OR BRASS.  
 (STANDARD IS BRASS)

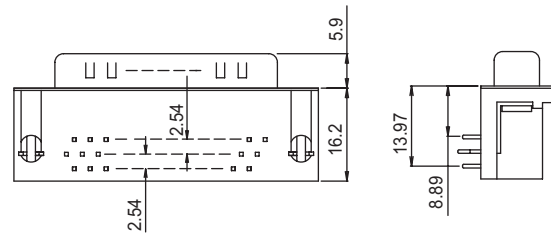
## ELECTRICAL CHARACTERISTICS:

CURRENT RATING : 5 AMPS.  
 WITHSTANDING VOLTAGE : AC 1000MIN. (FOR 1 MINUTE)  
 INSULATOR RESISTANCE : 1000 MEGOHMS MIN. AT 500V DC.  
 CONTACT RESISTANCE : 15 MILLIOHMS MAX.  
 OPERATING TEMPERATURE : -55°C ~ +105°C

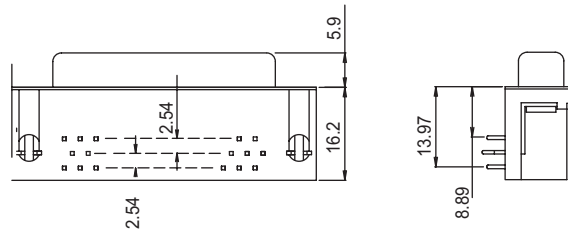
## DIMENSIONS



## MALE



## FEMALE



## HOW TO ORDER

SERIES NO.	CONTACT NO.	CONTACT TYPE	PLATING	RIVET & HEX SCREW	COLOR	SCREW TYPE	HOUSING MATERIAL
<b>1003</b>	<b>15</b>	<b>F</b>	<b>S</b>	<b>1</b>	<b>U</b>	<b>1</b>	<b>P</b>
	15 26 44 62 78	F: FEMALE M: MALE	G: GOLD FLASH OVER NICKEL PLATED S: SELECTIVE GOLD PLATED	1: FEMALE 4-40" HEX SCREWLOCK, FIXED DIRECT TO BL 2: 4-40" INSERT/CAPTIVE NUT WITH FEMALE 4-40" HEX SL WITH BL 3: 4-40" INSERT/CAPTIVE NUT ATTACH FEMALE 4-40" HEX SL WITH BL 4: 4-40" INSERT/CAPTIVE NUT WITH BL	U: BLUE G: GREEN B: BLACK Y: YELLOW	1: NUT: 4.8MM TOTAL LENGTH: 11.8MM 2: NUT: 4.8MM TOTAL LENGTH: 13MM 3: NUT: 5.8MM TOTAL LENGTH: 13MM	P: PBT H: HIGH TEMP