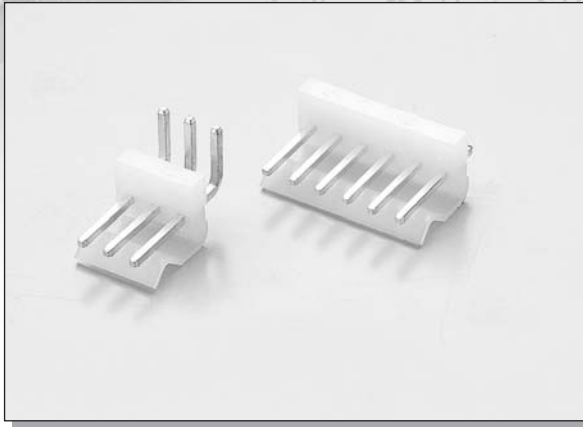


C-TEK 3.96MM PITCH WIRE TO BOARD



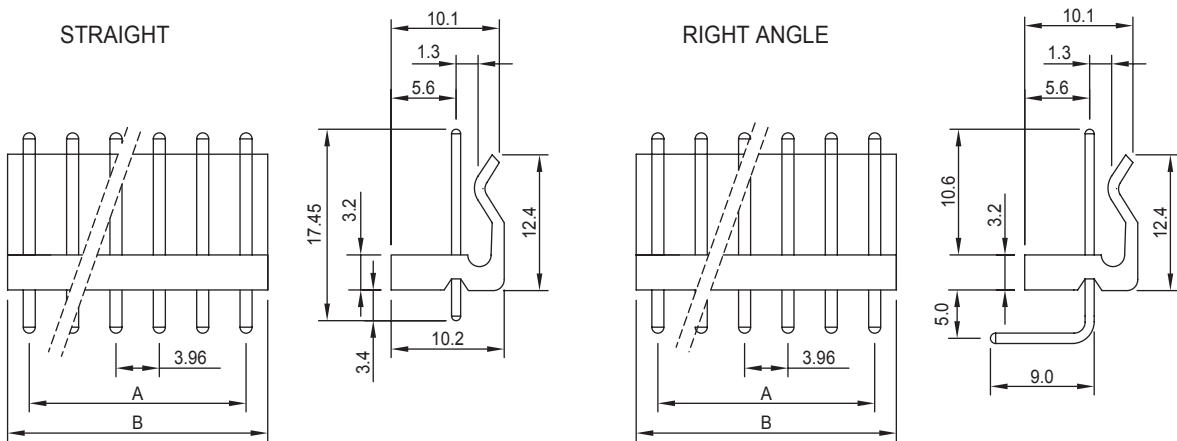
MATERIAL:

INSULATOR : NYLON 66 UL 94V-0.
CONTACT : PHOSPHOR BRONZE.

ELECTRICAL CHARACTERISTICS:

CURRENT RATING : 2 AMPS.
WITHSTANDING VOLTAGE : 750V AC MIN.
INSULATOR RESISTANCE : 1000 MEGOHMS MIN. AT 500V DC.
CONTACT RESISTANCE : 30 MILLIOHMS MAX.
OPERATING TEMPERATURE : -25°C ~ +85°C

DIMENSIONS



DIMENSIONS

A=3.96 x (No. of Position-1)
B=3.96 x (No. of Position)

HOW TO ORDER

HOUSING

TERMINAL

SERIES NO.	CONTACT NO.	CONTACT TYPE	PLATING	SERIES NO.	CONTACT NO.	SERIES NO.	PLATING
3003	12 2 - 20	R R: R/A S: STRAIGHT	T T: TIN PLATED	3003A	12 2 - 20	3003A	T T: TIN PLATED