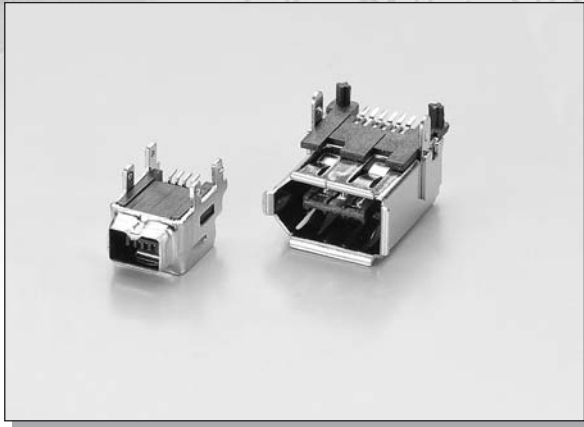


# C-TEK IEEE 1394 P.C.B. TYPE 4P/ 6P / 9P



## MATERIAL:

INSULATOR : THERMOPLASTIC,  
UL94V-0.

CONTACT : PHOSPHOR BRONZE.

## ELECTRICAL CHARACTERISTICS:

CURRENT RATING : 5 AMPS.

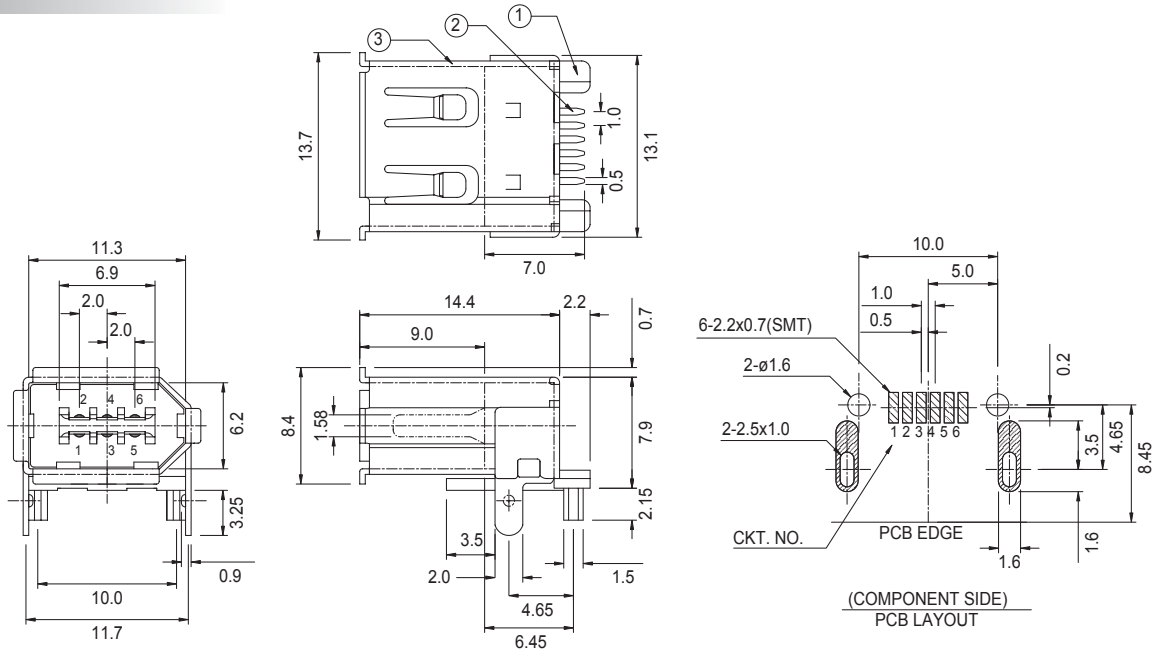
VOLTAGE : 30V AC (R.M.S.)

CONTACT RESISTANCE : 30 MILLIOHMS MAXIMUM INITIAL.

INSULATION RESISTANCE : 1000 MEGOHMS MINIMUM.

OPERATING TEMPERATURE : -55°C ~ +85°C

## DIMENSIONS



NO.	NAME	MATERIAL	FINISH	REMARK	Q'TY
1	Housing	Nylon PA9T G.F.	Black		1
2	Pin Terminal	Brass; t:0.2	Gold/Tin Plated	Gold: 30~35μ" Ni: 1.5~2.5 SN-PB: 3-5μ	6
3	Shell	Brass; t:0.4	Nickel Plated		1

## HOW TO ORDER

SERIES NO.

2005

TYPE

4

4 6 9

CONTACT TYPE

R

R: R/A DIP  
M: R/A SMT  
S: STRAIGHT DIP  
U: UP/RIGHT DIP

PLATING

S

S: SELECTIVE GOLD  
PLATED