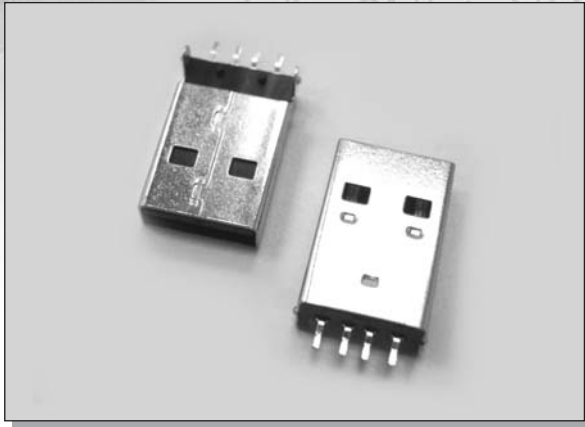


C-TEK USB A TYPE P.C.B. MALE TYPE



MATERIAL:

HOUSING : PBT + GF, UL 94V-0 RATED.

CONTACT : COPPER ALLOY.

ELECTRICAL CHARACTERISTICS:

CURRENT RATING : 5 AMPS.

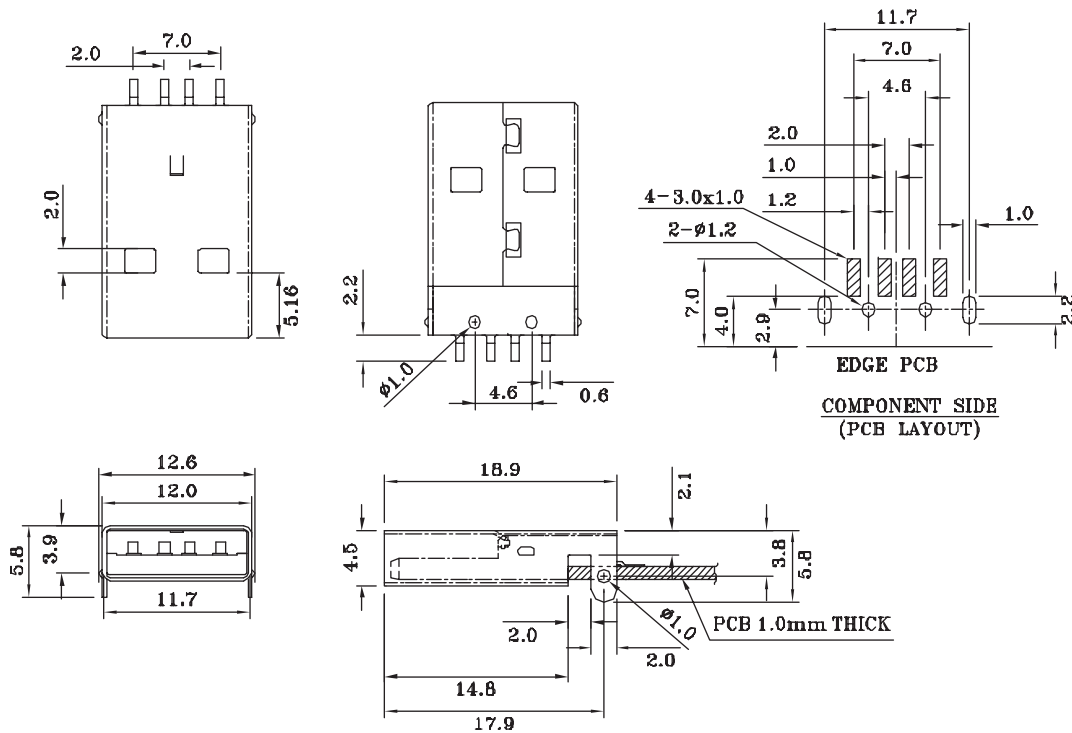
VOLTAGE : 30V AC. (R.M.S.)

CONTACT RESISTANCE : 30 MILLIOHMS MAXIMUM INITIAL.

INSULATION RESISTANCE : 1000 MEGOHMS MINIMUM.

OPERATING TEMPERATURE : -55°C ~ +85°C

DIMENSIONS



HOW TO ORDER

SERIES NO.	TYPE	CONTACT TYPE	PLATING	HOUSING MATERIAL
2003	M M: MALE	R R: R/A DIP M: R/A SMT	S S: SELECTIVE GOLD PLATED S1: SELECTIVE GOLD 5u" S2: SELECTIVE GOLD 10u" S3: SELECTIVE GOLD 15u" S4: SELECTIVE GOLD 30u"	P P: PBT N: NYLON L: LCP