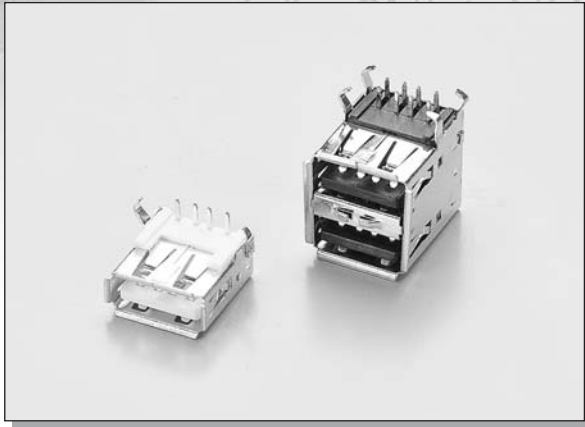


C-TEK USB A TYPE P.C.B. FEMALE TYPE



MATERIAL:

HOUSING : PBT + GF, UL 94V-0 RATED.

CONTACT : COPPER ALLOY.

ELECTRICAL CHARACTERISTICS:

CURRENT RATING : 5 AMPS.

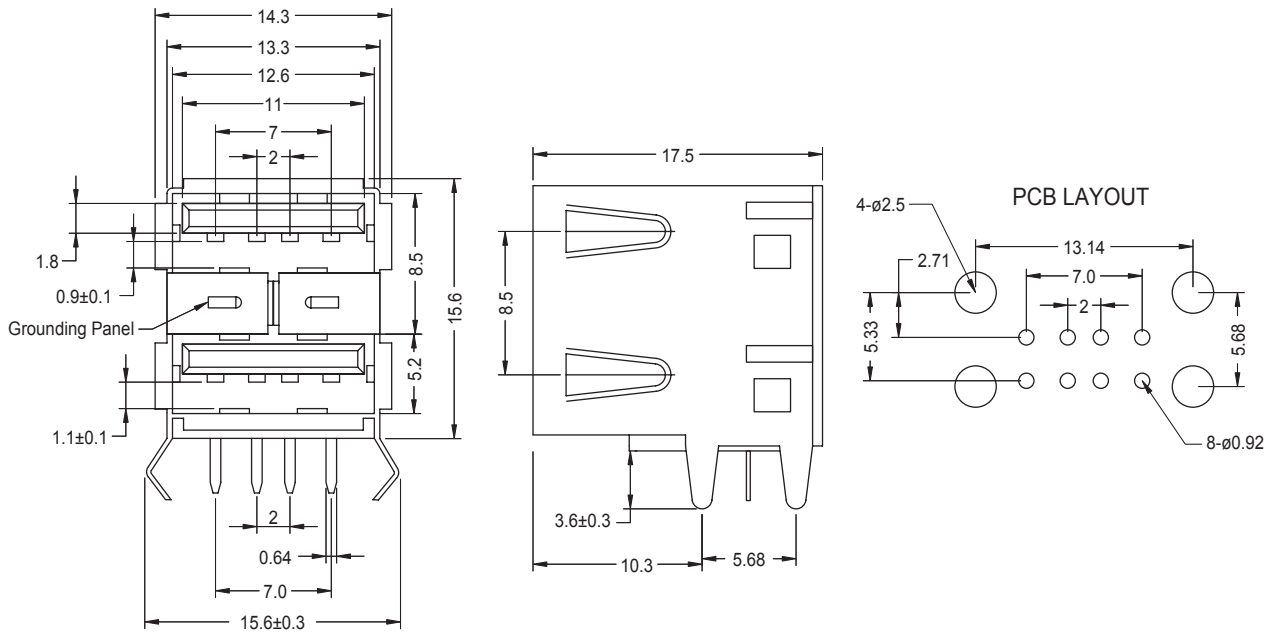
VOLTAGE : 30V AC. (R.M.S.)

CONTACT RESISTANCE : 30 MILLIOHMS MAXIMUM INITIAL.

INSULATION RESISTANCE : 1000 MEGOHMS MINIMUM.

OPERATING TEMPERATURE: -55°C ~ +85°C

DIMENSIONS



HOW TO ORDER

SERIES NO.	ROW OPTION	CONTACT TYPE	PLATING	SHELL	PANEL	HOUSING COLOR
2001	D	R	S	1	1	B
	S: SINGLE D: DUAL T: TRIPLE	R: R/A DIP M: R/A SMT S: STRAIGHT DIP U: UP/RIGHT DIP	S: SELECTIVE GOLD PLATED	1: W/O REAR SHELL 2: W/REAR SHELL	1: W/O GROUNDING PANEL 2: W/GRUNDING PANEL	B: BLACK W: WHITE