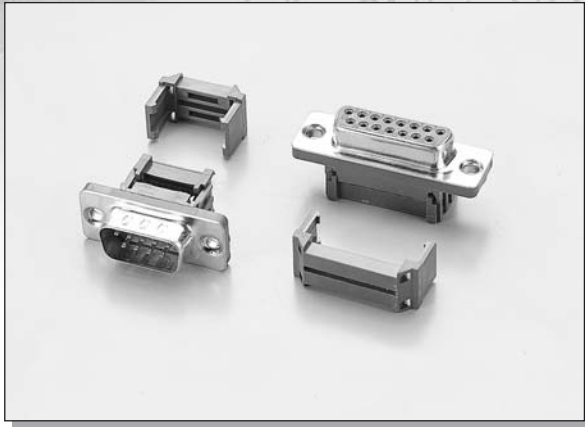


C-TEK D-SUB IDC TYPE



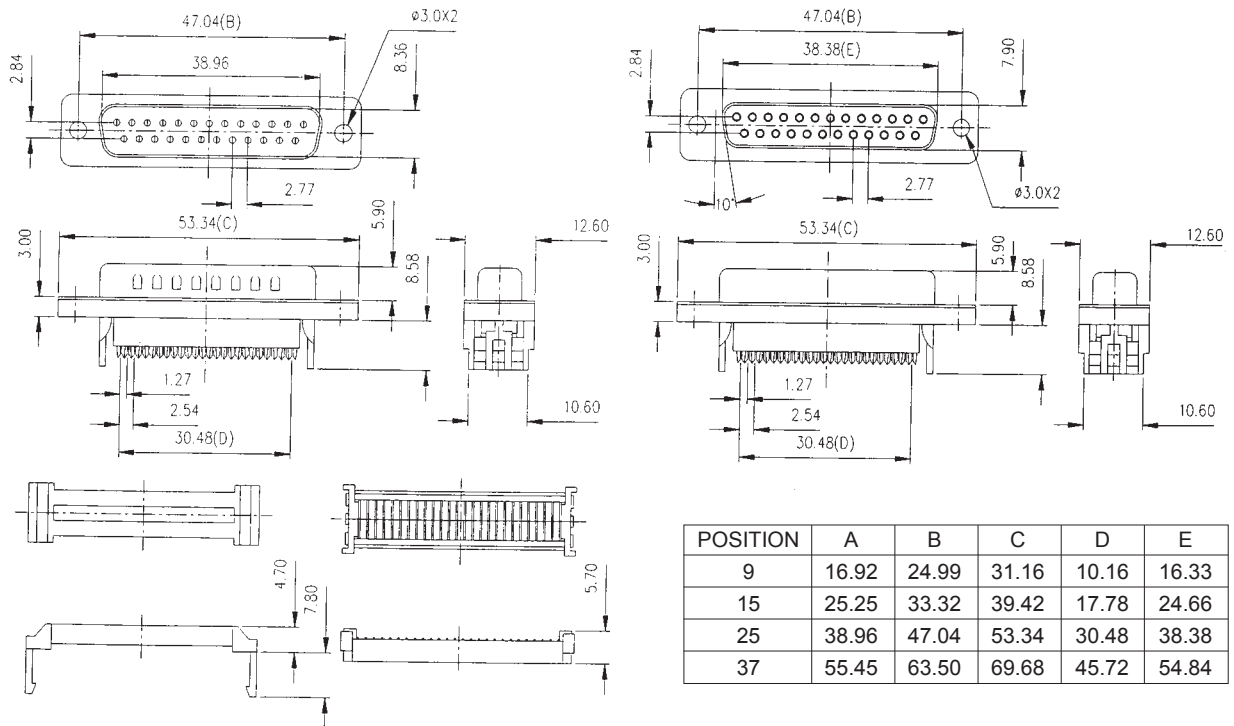
MATERIAL:

INSULATOR : PBT + 30% GLASS FIBER (UL94V-0).
 CONTACT : PHOSPHOR BRONZE OR BRASS.
 (STANDARD IS BRASS)

ELECTRICAL CHARACTERISTICS:

CURRENT RATING : 5 AMPS.
 WITHSTANDING VOLTAGE : AC 1250V R.M.S.
 INSULATOR RESISTANCE : 5000 MEGOHMS MIN. AT 500V DC.
 CONTACT RESISTANCE : 15 MILLIOHMS MAX.
 OPERATING TEMPERATURE : -55°C ~ +105°C

DIMENSIONS



HOW TO ORDER

SERIES NO.	CONTACT NO.	CONTACT TYPE	PLATING	SHELL TYPE	SCREW HOLE	STRAIN RELIEF	COLOR
1014	15	F	S	M	H	1	B
	09 15 25 37	F: FEMALE M: MALE	S: SELECTIVE GOLD PLATED	M: METAL P: ALL PLASTIC	H: THROUGH HOLE I: THERADED INSERT	1: W/O SR 2: W/SR	B: BLACK U: BLUE