

C-TEK D-SUB SOLDER TYPE



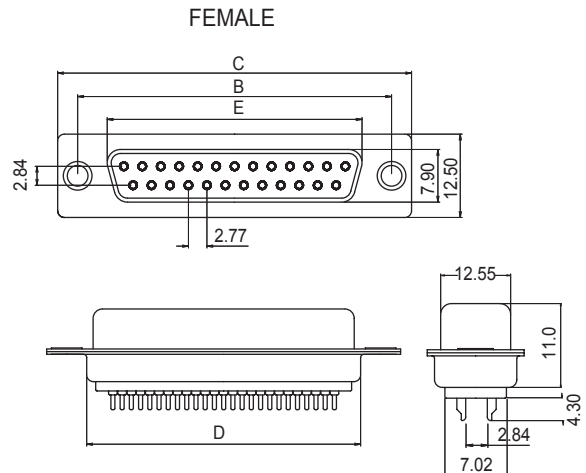
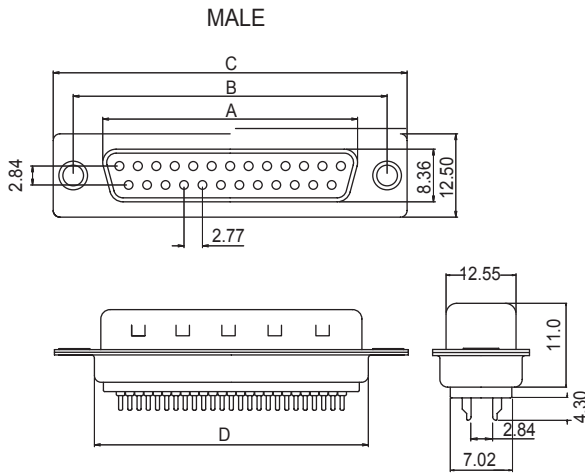
MATERIAL:

INSULATOR : PBT + 30% GLASS FIBER (UL94V-0).
 CONTACT : PHOSPHOR BRONZE OR BRASS.
 (STANDARD IS BRASS)

ELECTRICAL CHARACTERISTICS:

CURRENT RATING : 5 AMPS.
 WITHSTANDING VOLTAGE : AC 1000V R.M.S.
 INSULATOR RESISTANCE : 5000 MEGOHMS MIN. AT 500V DC.
 CONTACT RESISTANCE : 20 MILLIOHMS MAX.
 OPERATING TEMPERATURE : -55°C ~ +105°C

DIMENSIONS



POSITION	A	B	C	D	E
9	16.92	24.99	30.81	19.28	16.33
15	25.25	33.62	39.14	27.51	24.66
19	32.90	39.03	44.80	33.02	29.92
23	38.50	44.36	50.30	38.15	35.18
25	38.96	47.04	53.04	41.30	38.38
37	55.42	63.50	69.32	57.71	54.84
50	52.86	61.11	66.90	55.50	51.46

HOW TO ORDER

SERIES NO.	CONTACT NO.	CONTACT TYPE	PLATING	ACCESSORIES	COLOR	HOUSING MATERIAL
1012	9 09 15 19 23 25 37 50	F F: FEMALE M: MALE	S G: GOLD FLASH OVER NICKEL PLATED S: SELECTIVE GOLD PLATED	1 1: W/O BOARDLOCK, NUT, SCREW 2: W/FRONT NUT 3: W/REAR NUT 4: W/BOARDLOCK 5: W/SCREW, BOARDLOCK	B B: BLACK W: WHITE	P P: PBT H: HIGH TEMP