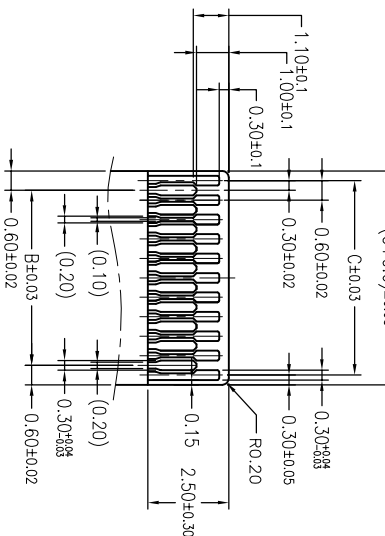
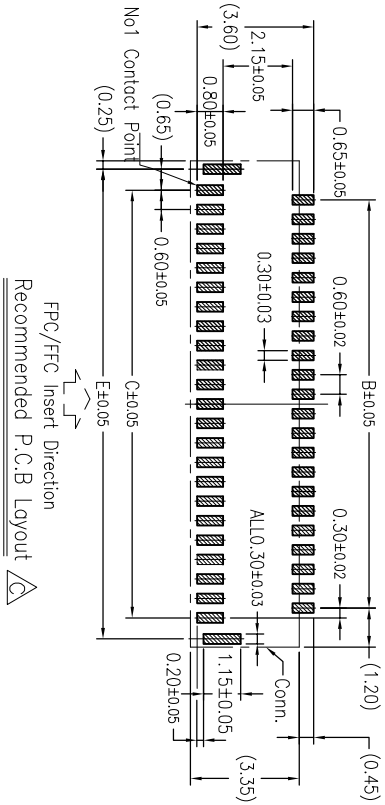


NOTE:
 1.MATERIAL
 HOUSING:NYLON46 OR HTN OR LCP UL 94V-0
 ACTUATOR:PPS OR LCP UL 94V-0
 TERMINAL:PHOSPHOR BRONZE
 FITTING NAIL:PHOSPHOR BRONZE
 2.PLATING:
 TERMINAL:3U" GOLD FLASH OVER NICKEL
 FITTING NAIL:TIN OVER NICKEL
 3.CURRENT & VDL TAGE
 CURRENT RATING:0.5A AC,DC
 OPERATING VOL TAGE:50V AC,DC
 OPERATING TEMPERATURE:-25°C~+85°C



PART NO.	DIMENSION				
	A	B	C	D	E
C950039-13	5.40	3.00	3.60	4.23	4.90
C950039-15	6.00	3.60	4.20	4.83	5.50
C950039-17	6.60	4.20	4.80	5.43	6.10
C950039-19	7.20	4.80	5.40	6.03	6.70
C950039-21	7.80	5.40	6.00	6.63	7.30
C950039-23	8.40	6.00	6.60	7.23	7.90
C950039-25	9.00	6.60	7.20	7.83	8.50
C950039-27	9.60	7.20	7.80	8.43	9.10
C950039-29	10.20	7.80	8.40	9.03	9.70
C950039-31	10.80	8.40	9.00	9.63	10.30
C950039-33	11.40	9.00	9.60	10.23	10.90
C950039-35	12.00	9.60	10.20	10.83	11.50
C950039-37	12.60	10.20	10.80	11.43	12.10
C950039-39	13.20	10.80	11.40	12.03	12.70
C950039-41	13.80	11.40	12.00	12.63	13.30
C950039-45	15.00	12.60	13.20	13.83	14.50
C950039-49	16.20	13.80	14.40	15.03	15.70
C950039-51	16.80	14.40	15.00	15.63	16.30
C950039-57	18.60	16.20	16.80	17.43	18.10
C950039-61	19.80	17.40	18.00	18.63	19.30
C950039-67	21.60	19.20	19.80	20.50	21.10
C950039-71	22.80	20.40	21.00	21.70	22.30
C950039-73	23.40	21.00	21.60	22.30	22.90

C950039-XX

NO. OF CONTACT
(13~79PINS)

FPC/FPC Insert Direction
Recommended P.C.B Layout

Applicable FPC

TOLERANCES UNLESS OTHERWISE SPECIFIED:
 0 PLC ± 0.3
 1 PLC ± 0.2
 2 PLC ± 0.2
 ANGLES ± 3°

SEE NOTE

SEE NOTE

CHUFON TECH CO., LTD

SAMHUANG

29-Dec-2008

CHK

ALEXLIN

29-Dec-2008

APVD

JACKY WANG

29-Dec-2008

QUALIFICATION TEST REPORT

WEIGHT

0.3mm ZIF SMT R/A 1.0H
BOTTOM CONTACT EASY-ON TYPE

LC SIZE DRAWING NO
DW/A3 C950039-XX

SCALE

SHEET 1 OF 1

REV A1